

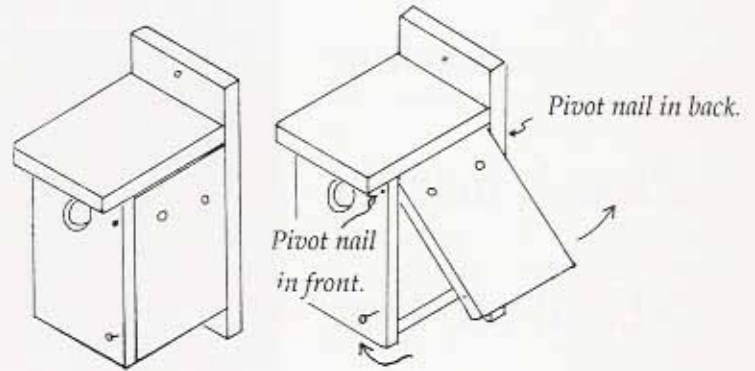
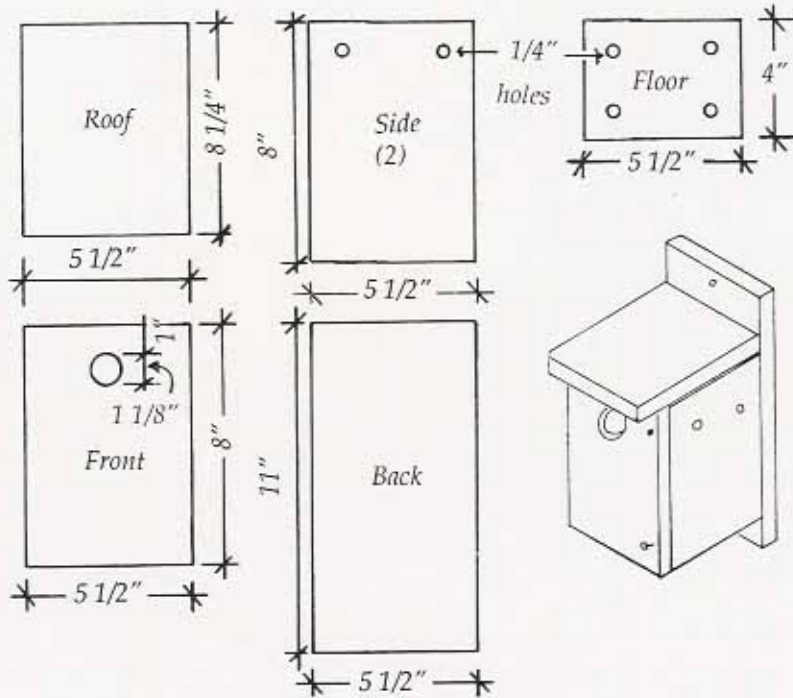
Figure 1

House Wren*, Black-capped Chickadee*,
White-breasted Nuthatch, Prothonotary
Warbler, Deer Mouse, Flying Squirrel and
White-footed Mouse Nest Box



Note: Entrance hole diameter is 1 1/8".

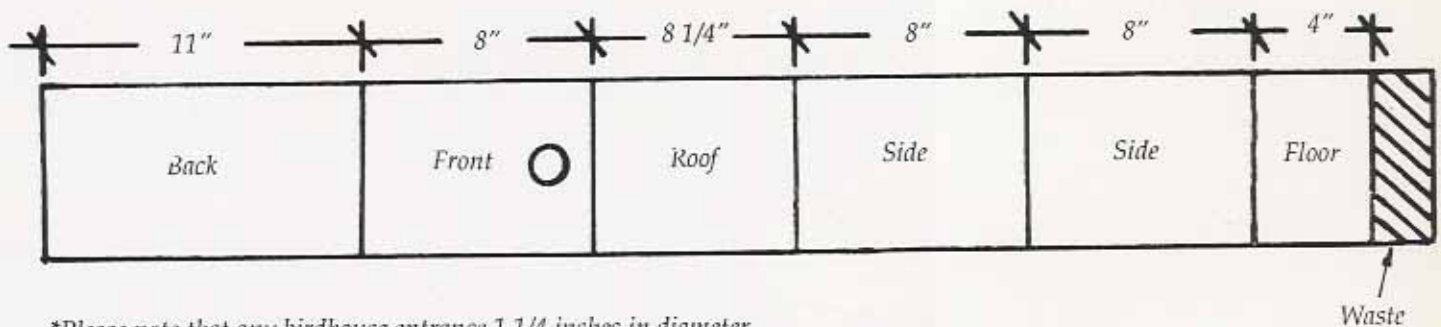
(An entrance hole diameter of 1 1/4" is needed for the white-breasted nuthatch and flying squirrel.)



Use one nail or screw at bottom to close side. Nail or screw holds side closed.

Two "pivot" nails allow side to swing out for cleaning.

Lumber: One 1" x 6" x 4'0".



*Please note that any birdhouse entrance 1 1/4 inches in diameter or larger will admit house sparrows! All wren and chickadee nest boxes should have an entrance hole of 1 1/8 inches in diameter.